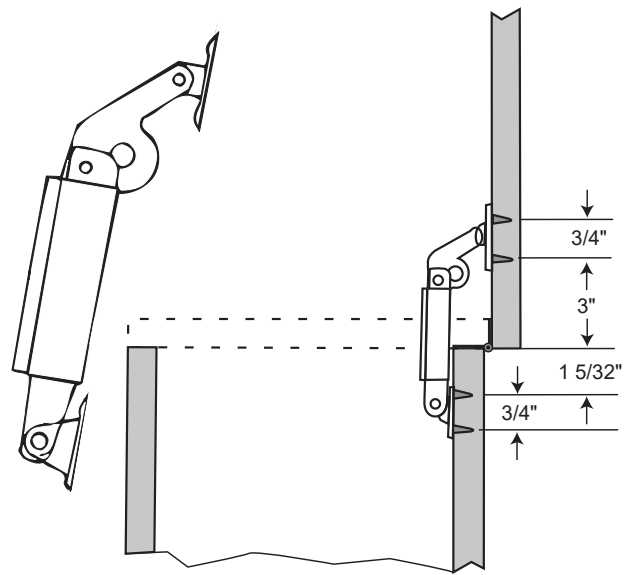


Counterbalance Support

Back mounted - internal spring assisted.
For use in toy boxes or Hi-Fi cabinets.

CAUTION: A HEAVY LID CAN HARM A CHILD!

$$\text{Torque} = \frac{\text{lid weight (lbs.)} \times \text{width of lid (inches)}}{2}$$



LA54500